

# User Manual

Model: EC2-30

Ramblewood Green

*[WWW.RAMBLEWOODGREEN.COM](http://WWW.RAMBLEWOODGREEN.COM)*

# GENERAL INFORMATION

**This appliance is designed for domestic household use. The User Manual contains important product safety & installation information.**

**Your safety is of the utmost importance. Please ensure you read this booklet before attempting to install or use the appliance, and contact RambleWood Green if you have any question.**

## Safety Information

- The appliance should only be installed & serviced by a qualified technician.
- The adjacent furniture and all materials used in installation must be able to withstand a minimum of 85°C above the ambient temperature of the room.
- Certain types of vinyl or laminate kitchen furniture are particularly prone to heat damage or discoloration at temperatures below the 85°C.
- Damage caused by the appliance being installed in contravention of this temperature limit will be the liability of the user.
- You should not store or place flammable or highly flammable liquids/materials on top of or near this product. Items made from aluminum, plastic or plastic film should also be kept away from the appliance, as they may fuse to the surface.
- Infant should be kept away from this appliance. If children is allowed in kitchen, please keep them under close supervision at all time. Older children should only be allowed to use the product under adult supervision.
- The power cables should not be in close contact with the hot glass surface or cookware.
- Fat and oil can be ignited extremely quick when overheated. When cooking with fat and oil the appliance should not be left unattended.
- Under any circumstance the cookware should not be empty when the power is on.
- Insure all cooking zones are switched off after use.
- The ceramic glass can be damaged/cracked by external shock & vibration. Cast iron and aluminum cookware with sharp edge may scratch the ceramic surface if they are dragged across it.

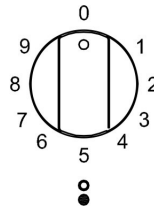
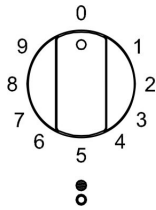
- **IMPORTANT:** The German Shcott ceramic glass is tough; however it is not unbreakable and can be damaged if heavy or sharp objects are placed on top. DO NOT USE THE UNIT IF ITS SURFACE IS BROKEN OR CRACKED. YOU SHOULD CONTACT RAMBLEWOOD GREEN IMMEDIATELY.

## Specifications

Product specifications and Electrical details :

MODELS	EC2-30
Voltage	220-240V, 60HZ
Current	13
Max power kW	3000 W
Front Side control operation	YES
Electrical cable	3x1.5mm <sup>2</sup>

## Control panel layout Cooking zone indicators



# OPERATION GUIDELINE

## First Time Use

- Any film or stickers on the glass surface should be removed before use.
- You should switch on one cooking zone at a time, for 5 minutes at maximum level. This will help to remove any odor that exists and evaporate any humidity formed after exit factory.

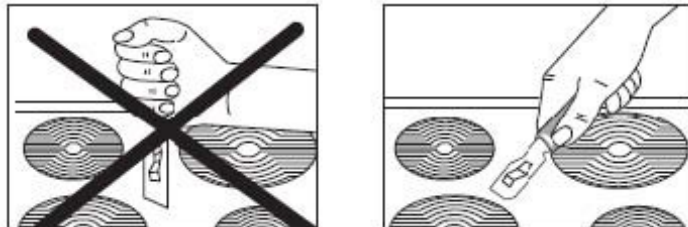
## Operation Guideline

- All operations are performed by means of the 2 control knobs.
- Control knob can be turned clockwise to select heating/power level. Numbers on the dial indicate the power level from 1 to 9, with 9 is the maximum.
- Marking below each knob indicates the zone it controls.
- The 2 burners deliver maximum power of 1800W & 1200W each.
- The areas where the heat radiate are marked by 2 circles on ceramic glass surface. Saucepans must be positioned exactly on top of these zones for efficient heating.

## Cleaning and maintenance

- Glass surface should be cleaned regularly.
- **IMPORTANT:** Clean the unit when power is off & the glass surface is cool.

## Using the Scraper



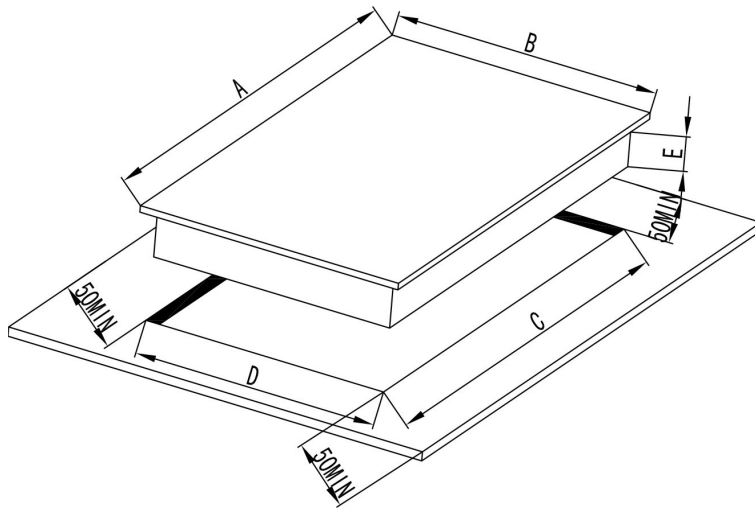
- The scraper should be placed against glass surface at an angle. Residues can be removed by sliding the blade gently.

# INSTALLATION

The installation and service must be conducted by a qualified technician, in accordance with national & local regulation.

Product dimensions and Aperture dimensions:

MODEL	A	B	C	D	E
EC2-30	290mm	510mm	270mm	490mm	53mm



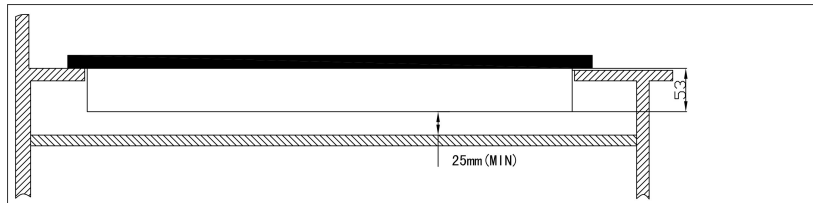
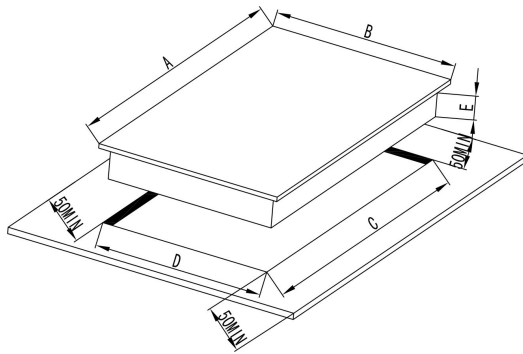
## Unpacking the appliance

When unpacking the appliance please check the following items are contained within the box:

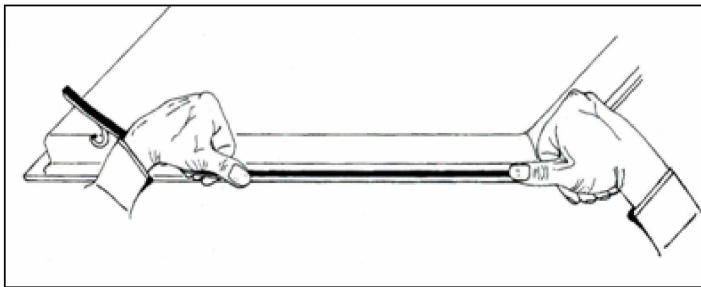
- 1 hob
- 1 Ceramic hob scraper
- 1 Installation and instruction manual
- 4 Fixing brackets
- 4 Fixing screws
- 4 Spring clips
- 1 Sealing strip

## Positioning

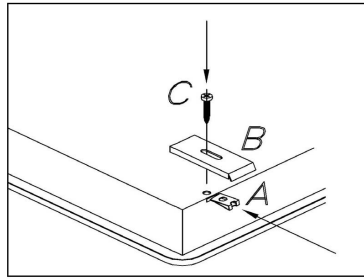
The adjacent furniture must be able to withstand a minimum temperature rise of 85°C above the ambient temperature.



- o Cut a hole in countertop per drawings shown above.
- o **IMPORTANT:** You must leave clearance of at least 25 mm between the underneath of the unit and any surface below it.

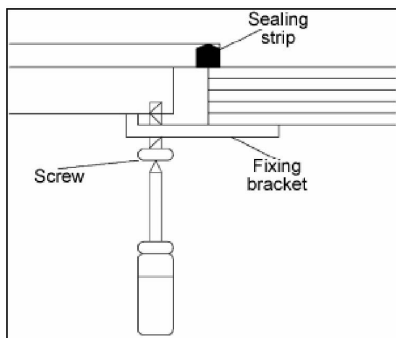


- Carefully turn the hob upside down and place it on a cushioned mat.
- Apply the sealing strip provided around the edge of the appliance.
- Do not leave a gap in the sealing agent or overlap the thickness.
- **IMPORTANT:** Do not use a silicon sealant to seal the appliance against the aperture. This will make it difficult to remove the hob from aperture in future for service.



- (A) Clip
- (B) Fixing bracket
- (C) Screw

- You should insert a clip (A) into the holes which are located in each corner of the hob.
- Place the fixing brackets (B) over each hole and clip, and then place a screw (C) through the hole and fixing bracket (B). Tighten the screws slowly. **IMPORTANT:** Do not tighten the screws fully.
- Carefully turn the hob back over and then gently lower it into the aperture hole that you have cut out.



- On the underneath of the hob, locate the fixing brackets (B) and turn them so that they locate on the underneath of the worktop and the hob.
- Fully tighten the screws (C) to secure the hob into position.

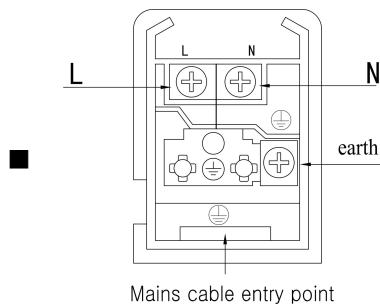
**WARNING: THIS APPLIANCE MUST BE EARTHED.**

- This appliance must be wired into a 30 A fused spur outlet, having 3 mm contact separation and placed in an easily accessible position adjacent to the unit.
- Cable type: EC2-30, **H05 RR-F 3 core x 1.5 mm<sup>2</sup>**

## Replacing the mains supply cable

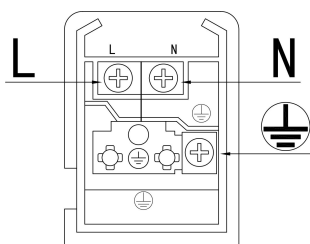
If the power supply cord is damaged, it must be replaced by manufacturer or qualified technician, per national & local safety regulation/guideline.

- The main terminal block is located on the underside of the hob and terminals are accessible by removing the terminal block cover screw.
- EC2-30



- The cable connections must be in accordance with the diagram located on the bottom of the hob.

■ EC2-30



- 

220-240V ~  
H05 RR-F 3G 1,5mm<sup>2</sup>

- The “green-yellow” earth wire must be connected to the Earth marked . It must be about 10 mm longer than the live and neutral wires.
- The “blue” neutral wire must be connected to the terminal marked with letter (N) - the live wire must be connected to the terminal marked with letter (L).
- Please insure cable is not kinked or trapped when the hob is in position.

**DO NOT ATTEMPT TO REPAIR THE APPLIANCE YOURSELF.**